

HELP US BUILD YOU THE BEST-FITTING CUSTOM OIL PAN!

To ensure the correct construction of your custom pan, please answer the following questions completely. **PLEASE PRINT!** Then, turn the page and draw the desired shape of your oil pan.

[Print] Customer Name: _____

Shipping Address: _____

City, State & Zip: _____

Area Code & Phone (Work): _____

Area Code & Phone (Home): _____

Area Code & Fax: _____

E-mail: _____

IMPORTANT NOTE ABOUT SIZING

As you know, there are many dimensional differences found in engine blocks, front covers and rear mains, particularly those from aftermarket manufacturers. We keep a number of popular iron and aluminum blocks in-house for fitting purposes, but manufacturing tolerances do vary. To ensure the proper fit of your new pan, please use a piece of thin cardboard to provide us with a cut-out of the contours of your block's critical sealing areas.

WE WANT YOUR DRAWINGS!

Please add your own drawings of your desired oil-pan profile to the four illustrations on the other side of this sheet, along with all possible dimensions. The more information you provide, the better your pan will fit.

ENGINE SPECS

Block brand: _____ Model: _____

Small-block Big-block

Total displacement: _____ cu. in.

Crankshaft stroke: _____ in.

Connecting rods: Steel Aluminum

Rear-main seal: One-piece Two-piece

STARTER

Location: Driver side Passenger side None

Type: Stock Aftermarket Manufacturer & Model: _____

Number of flywheel teeth: _____

OIL PUMP

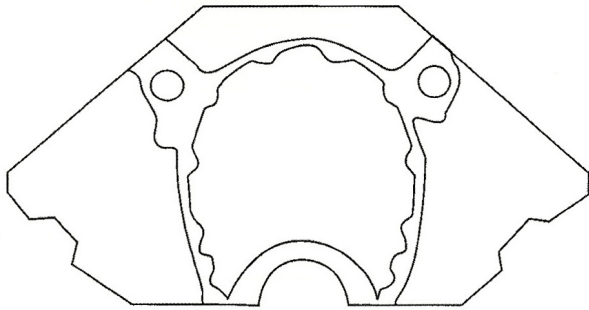
Wet sump Dry sump

Stock Aftermarket Manufacturer & Model: _____

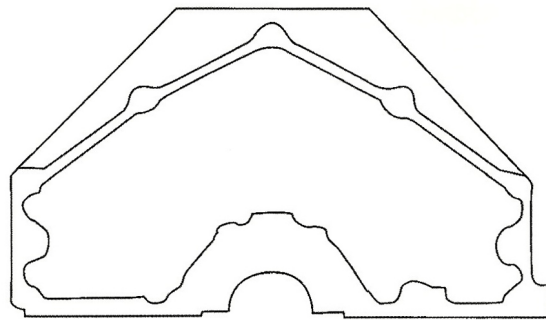
Pickup location(s): _____ Fitting size(s): _____

In pencil, please draw the general outline of your desired oil pan below each of these illustrations. Also, please provide any dimensions that you can. Photocopied forms are acceptable.

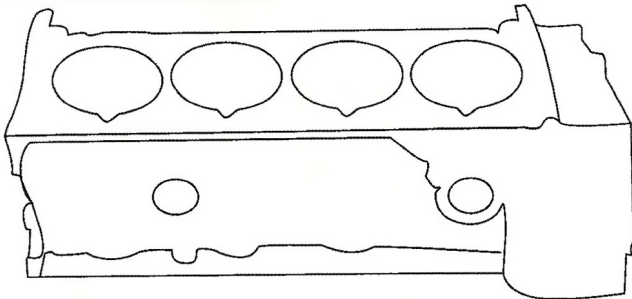
FRONT VIEW



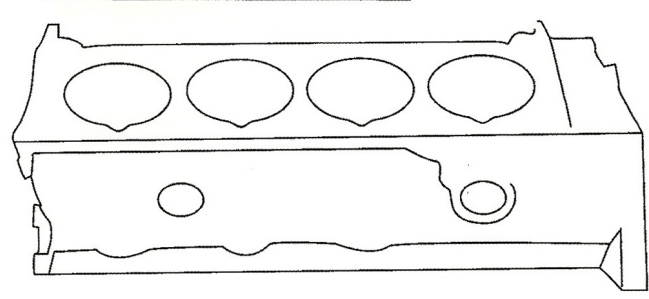
REAR VIEW



DRIVER SIDE



PASSENGER SIDE



MAIL, FAX, OR EMAIL US YOUR COMPLETED ORDER FORM. After filling out both sides of this sheet, please send your completed order form to **Jeff Johnston's Billet Fabrication, P.O. Box 486, Nine Mile Falls, WA 99026**, or fax it to **(509)568-0433**. You can also send this completed form via email to **billetfabrication@hotmail.com**

PLEASE COMPLETE THE OTHER SIDE OF THIS PAGE BEFORE MAILING!



Jeff Johnston's
BILLET
FABRICATION Inc.

www.billetfab.com